

# Q6 Edge<sup>®</sup> 2.0

## PRODUCT SPECIFICATIONS SHEET

Class of Use	B (Group 3)
Weight Capacity	300 lbs. (136 kg/21 stone 6 lbs.)
Maximum Speed <sup>1</sup>	Up to 6.25 mph (10 km/h) Up to 4 mph (6.4 km/h), only United Kingdom Up to 3.5 mph (5.6 km/h) with iLevel <sup>®</sup> Up to 3 mph (4.8 km/h) with iLevel <sup>®</sup> United Kingdom
Ground Clearance <sup>2</sup>	2.7 in. (69 mm) at battery tray
Turning Radius <sup>2</sup>	20.5 in. (521 mm)
Overall Size <sup>2, 6</sup>	Length: 35.5 in. (902 mm) without front riggings Width: 24.4 in. (622 mm) 28.9 in. (735 mm) with armrests
Drive Wheels	14 in. (355.6 mm), pneumatic and solid available
Caster Wheels	Front: 6 in. (152 mm); 8 in. (203.2 mm) solid Rear: 6 in. (152 mm); 8 in. (203.2 mm) solid
Suspension	ATX Suspension (Active-Trac <sup>®</sup> with extra stability)
Range <sup>1, 4</sup>	Up to 19.7 miles (32 km) Up to 17.71 miles (28.5 km) with extended-traction knobby tires and with 62 Ah batteries
Component Weights <sup>5, 7</sup>	Base: 138.6 lbs (63 kg) Batteries: 38 lbs. (17.24 kg) each Total Mass of Power Chair: Less than 388.6 lbs. (176.3 kg)
Drivetrain	Two motor, Mid-wheel 6 <sup>®</sup> drive
Brakes	"Intelligent Braking" electronic regenerative, disc park brake
Batteries <sup>3</sup>	Two 12-volt, deep-cycle NF-22 batteries
Battery Charger	8-amp, off-board
Freewheel Operational Force	Less than 60 N
Drive Control Operational Force	Less than 5 N
Maximum Rated Slope	7.5° (13.2%) only United States 6° (10.5%)
Maximum Obstacle Climbing Ability (Ascending and Descending)	3.5 in (90 mm)
Measured Sound Level (A-weighted)	Less than 65 dB

<sup>1</sup> Varies with base model, user weight, terrain type, battery amp hour rating (Ah), battery charge, battery condition, motors, controller type, tire type, and tire condition. This specification is subject to a variance of +10%, -5%.

<sup>2</sup> Due to manufacturing tolerances and continued product improvement, this specification can be subject to a variance of (+ or -) 3%.

<sup>3</sup> AGM, Gel-Cell, or Hybrid Gel (Hybrid Gel is defined as Nano Silica Gel Electrolyte with High Quality Glass Mat Separators) type required. See "Batteries and Charging."

<sup>4</sup> Tested in accordance with ANSI/RESNA, WC Vol. 2, Section 4 & ISO 7176-4 standards. Results derived from theoretical calculations based on battery specifications and drive system performance. Test conducted at maximum weight capacity.

<sup>5</sup> Battery weight may vary based on manufacturer.

<sup>6</sup> Dimensions listed are for power base only. Overall measurements will vary based on seating and accessory selections.

**NOTE: This product conforms to all applicable ANSI/RESNA, ISO 7176 Series, AS/NZS 3695.2, and EN12184 standards. All specifications subject to change without notice.**

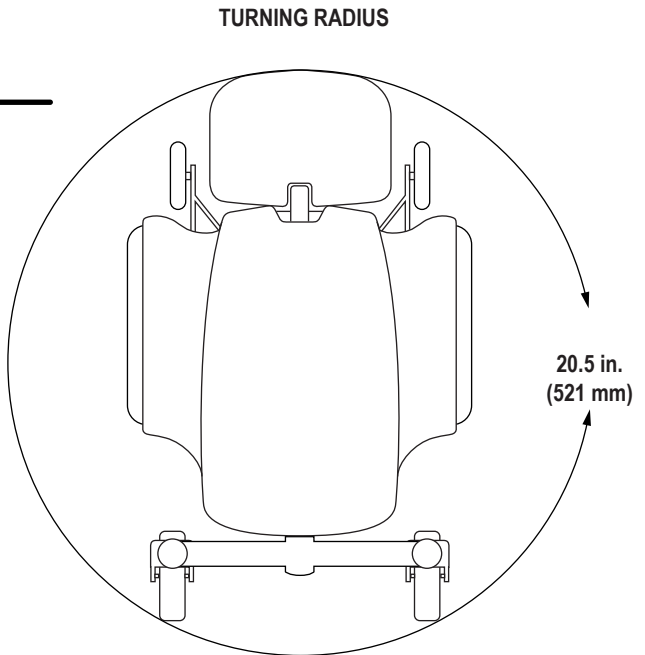
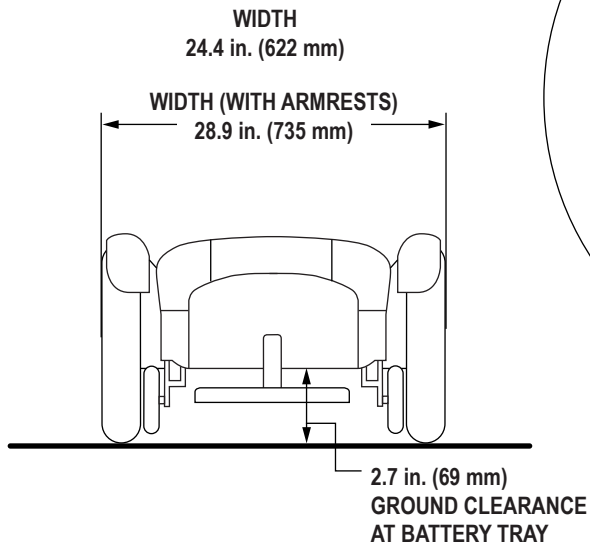
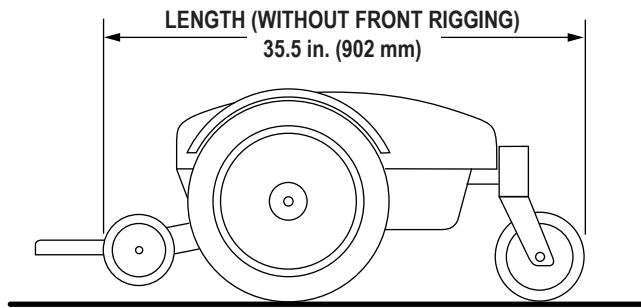


Rev H/September 2019



# Q6 Edge<sup>®</sup> 2.0

## PRODUCT SPECIFICATIONS SHEET



Rev H/September 2019



INFIB3323